



Persistent Professional Premium

www.sentaiwpc.net



REGAL BOARD™

Woodlike Vintage Composite Decking



Woodlike Vintage Composite Decking

REGALBOARD™ INSTALLATION GUIDE

Thanks for choosing Sentai WPC Group Share CO.,LTD produced Regalboard™ composite products for your outdoor living experience.

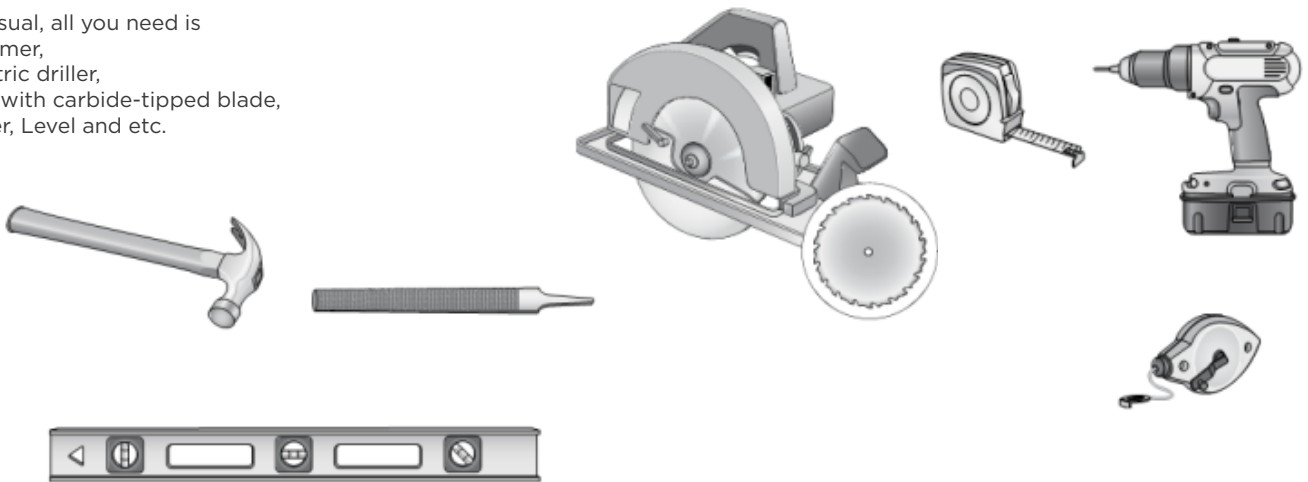
(Please keep this guide near at hand and make sure to read all before starting installation, for the following installation and maintenance instructions will guarantee a long life for your decking)

Safety

When working on any construction project, it is necessary to wear protective clothing and safety equipments to avoid any risk of injuries. Generally, it is recommended to wear safety glasses, gloves, dust mask and long sleeves, esp. when cutting in confined spaces.

Tools

As usual, all you need is
Hammer,
Electric driller,
Saw with carbide-tipped blade,
Meter, Level and etc.




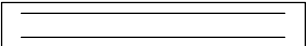
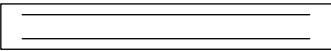
Storage

Please Store the composite decking boards in their original packaging, preferably in a well-ventilated roofed place. If installation does not occur immediately, the decks should be put on a flat surface at all times. Never ever should it be put on a surface that isn't flat.

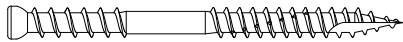
REGALBOARD™

Woodlike Vintage Composite Decking

PROFILE SPECIFICATIONS

DESCRIPTION	PROFILE WIDTH (MM)	DEPTH (MM)	TYPICAL LENGTH (MM)	COVERAGE (M/M ²) *	MASS PER M (KG/M)	RECOMMENDED SPANS (MM)
	153	14.5	3660	/	1.61	/
	176	26.5	3660	5.68	4.25	400
	210	26.5	4880	4.76	4.52	400

Fixing Screw



M4.5

60

SS304 designed for boards of 20 to 27mm thickness into timber structure greater than 40mm thick.

Failure to use our special designed top fixing screws may cause surface damage or other quality issue and invalidate the warranty.

REGALBOARD™

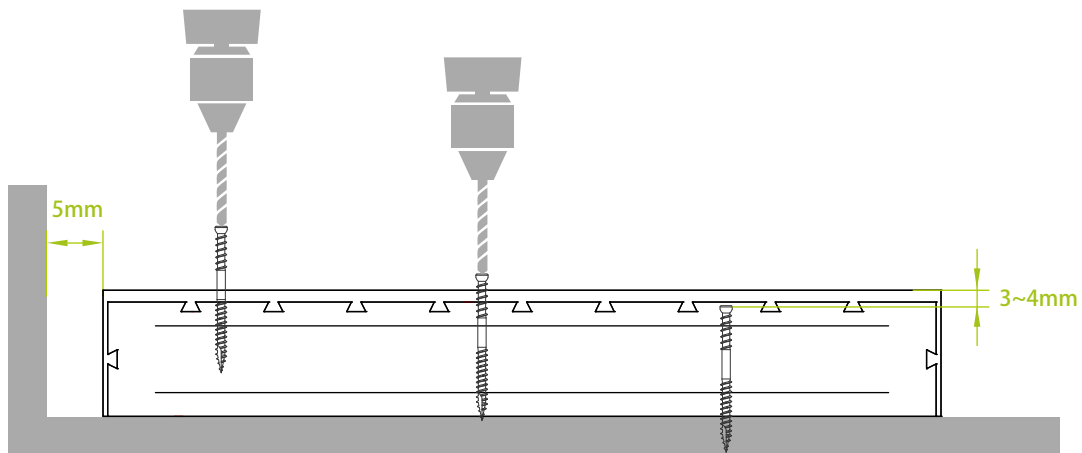
Woodlike Vintage Composite Decking

INSTALLATION

Thanks to the special capping material adopted, for our Regalboard™, there is no clip needed, but just with the special designed top fixing screws, your installation job can be accomplished easily.

Step 1

Top fix your first board using a composite deck screw.

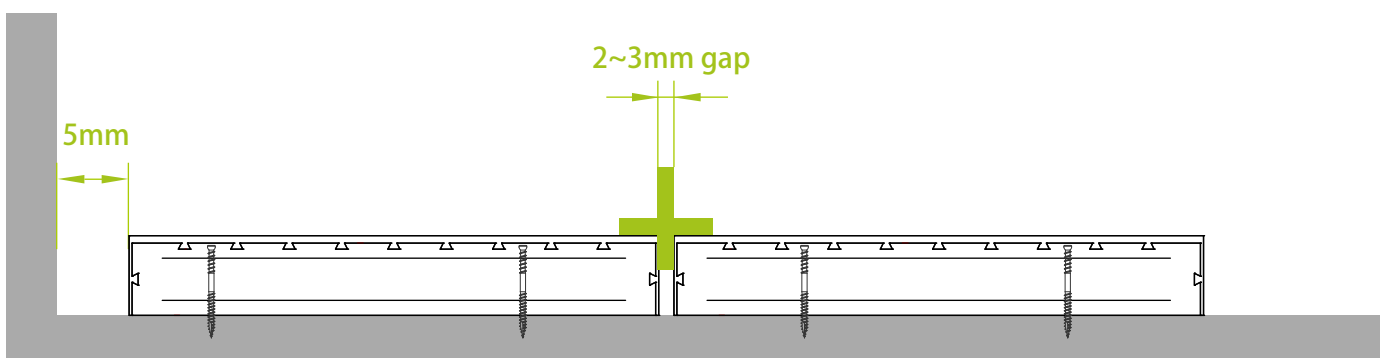


Keep the board 5mm away from the walls or other obstacles to allow for expansion of the composite products and also for ensuring good drainage and ventilation.

When screwing in, it is recommended to make the screw head 3mm-4mm under the surface material. This can be achieved by feeling the screwing-in resistance, as the core material and the surface capping material density is different.

Step 2

Lay the 2nd board and a 2 to 3 mm gap should be left between each board. This can be assisted by using the gap spacer that available in the market.

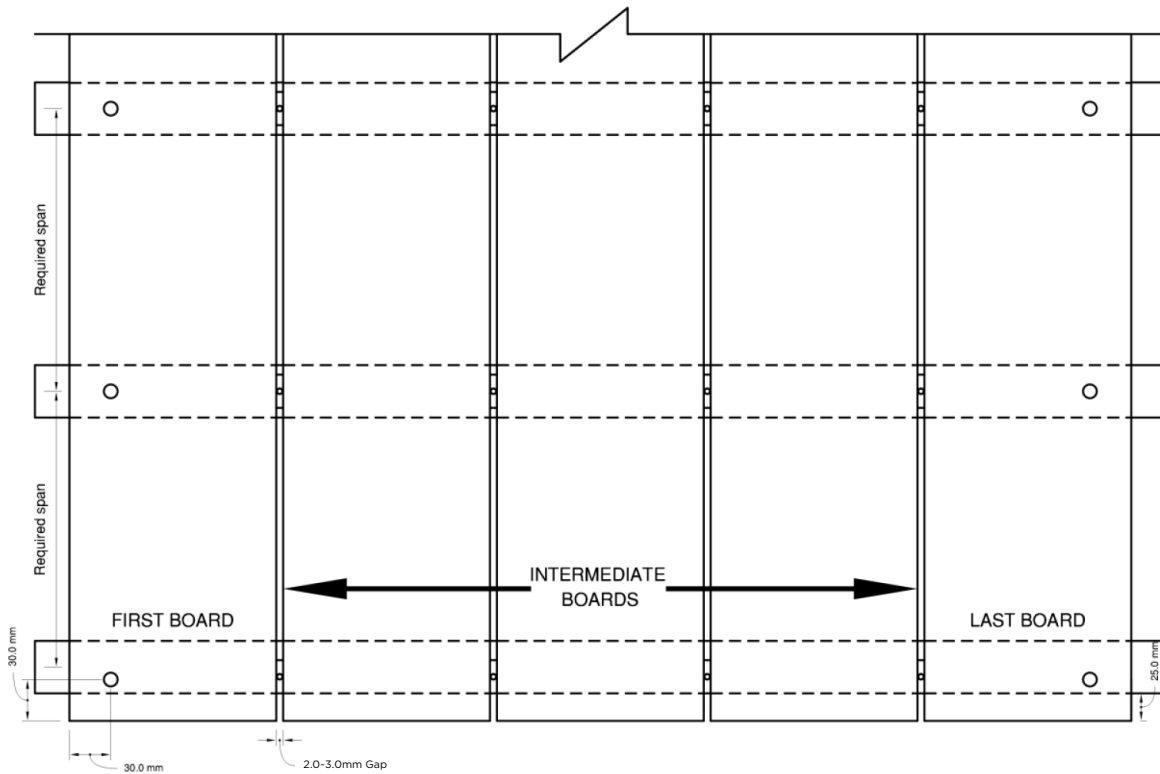


Step 3

Top fix the next board till the last board with screws.

Fixing point location

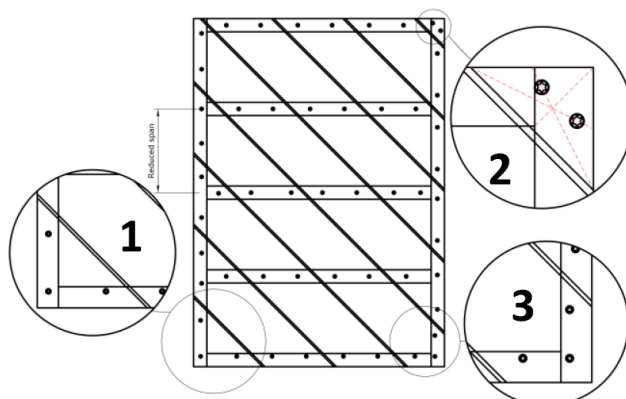
When top fixing the deck boards, fasten the boards 30mm or farther from any edge of the board, and at a spacing of 30mm to the next fastener to avoid any board cracking. Use at least two screws to fasten each board to avoid the board pivoting around one screw and cracking.



Triangular piece fastening

Small triangular pieces are often found in diagonal decking as well as where boards have been mitred.

- 1- It is good practice to fasten all 3 edges of a triangular piece to avoid pivoting.
- 2- Where small pieces do not allow for this, 2 screws can be used, but should be positioned in such a way as to prevent pivoting. Never use a single screw and always pre-drill holes in small pieces to avoid cracking. Try to plan the deck in such a way that both ends of the deck do not have overly small pieces of decking.
- 3- Where deck boards are cut at odd shapes like arrow heads additional fasteners may be required to prevent levering



Step 4

Trim the deck

By adopting our Regalboard trim board, the deck section can be sealed in same color and same looks grain material, which ensure the project with best effect.

