



INSTALLATION GUIDE



Woodlike Vintage Composite Decking

REGALBOARD™ INSTALLATION GUIDE

Thanks for choosing Sentai WPC Group Share CO.,LTD produced Regalboard™ composite products for your outdoor living experience.

(Please keep this guide near at hand and make sure to read all before starting installation, for the following installation and maintenance instructions will guarantee a long life for your decking)

Safety

When working on any construction project, it is necessary to wear protective clothing and safety equipments to avoid any risk of injuries. Generally, when processing/cutting our Regalboard, it is recommended to

Wear safety glasses with side shields(or goggles);

Wear protective gloves;

Wear long-sleeved shirt and long pants;

Although fibers are non-respirable, it may still cause temporary skin and mucous membranes itching due to mechanical abrasion effect of fibers. In case of such itching situation had, the following first aid measures should be adopted,

*Eye contact

•DONOT rub or scratch eyes

•Immediately flush with plenty of water. After initial flushing, remove any contact lenses and continue flushing for at least 15 minutes

•If eye irritation persists: Get medical advice/attention

*Skin contact

•Wash off immediately with soap and plenty of cold water

•DONOT use warm water because this will open up the pores of the skin, which will cause further penetration of the fibers

•DONOT rub or scratch affected area

•If skin irritation persists,call a physician

Tools

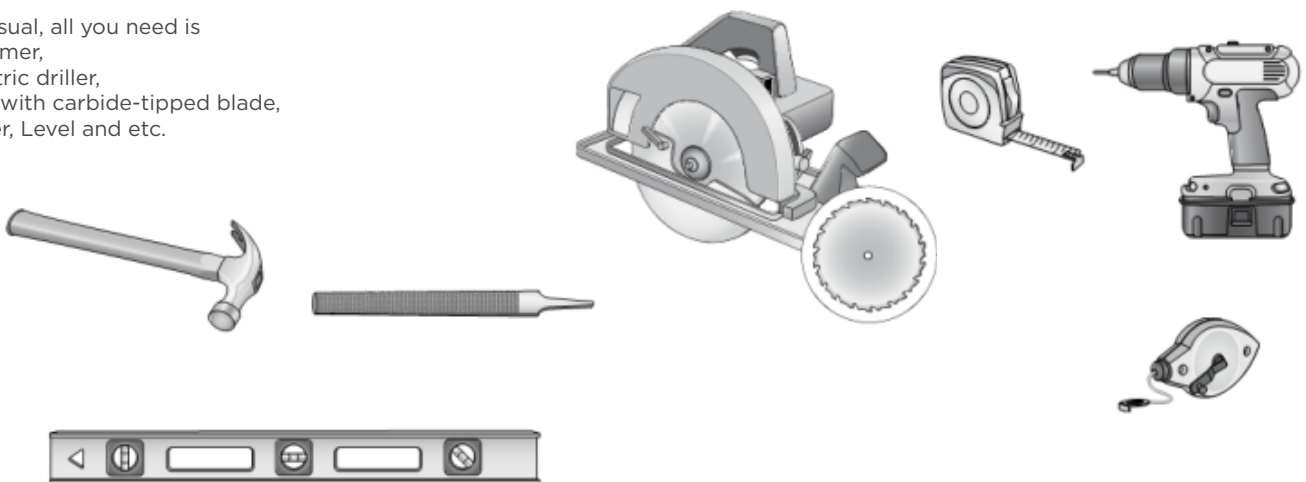
As usual, all you need is

Hammer,

Electric driller,

Saw with carbide-tipped blade,

Meter, Level and etc.



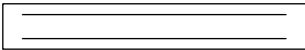
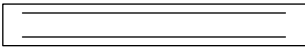


Storage

Please Store the composite decking boards in their original packaging, preferably in a well-ventilated roofed place. If installation does not occur immediately, the decks should be put on a flat surface at all times. Never ever should it be put on a surface that isn't flat.

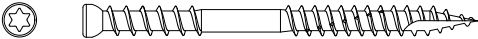
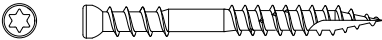
REGALBOARD™

Woodlike Vintage Composite Decking

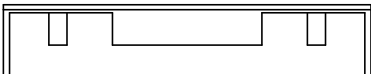
PROFILE SPECIFICATIONS

DESCRIPTION	PROFILE WIDTH (MM)	DEPTH (MM)	TYPICAL LENGTH (MM)	COVERAGE (M/M ²) *	MASS PER M (KG/M)	RECOMMENDED SPANS (MM)
	175	25	3600	5.68	3.95	400
	175	22	3600	5.68	3.51	400
	185.5	16	3600	5.33	2.69	/
	48	22	3600	/	/	/

Fixing Screw

	M4.3	60	SS304 designed for boards of 20 to 27mm thickness into timber structure greater than 40mm thick.
	M4.3	40	SS304 designed for boards of 20 to 27mm thickness into timber structure greater than 25mm thick.

Gap Spacer

	182x35x36.5mm
---	---------------

Failure to use our special designed top fixing screws may cause surface damage or other quality issue and invalidate the warranty.

REGALBOARD™

Woodlike Vintage Composite Decking

INSTALLATION

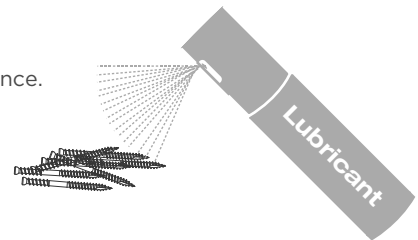
Thanks to the special capping material adopted, for our Regalboard™, there is no clip needed, but just with the special designed top fixing screws, your installation job can be accomplished easily.

Step 1

Lubricating screw

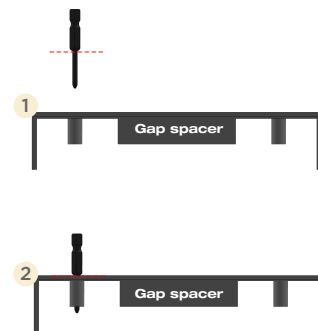
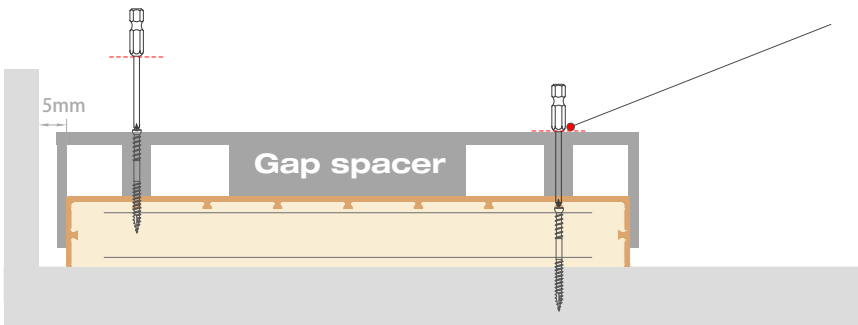
To have smoother screwing process, it's recommended to lubricate the screws in advance.

Tips: make sure to wipe out the screwing point extra lubricant, if any, when it's done.



Top fix your first board by using our special designed composite deck screw.

It is always recommended to screw from the slot place so that the screws can be seated with better head lost effect.

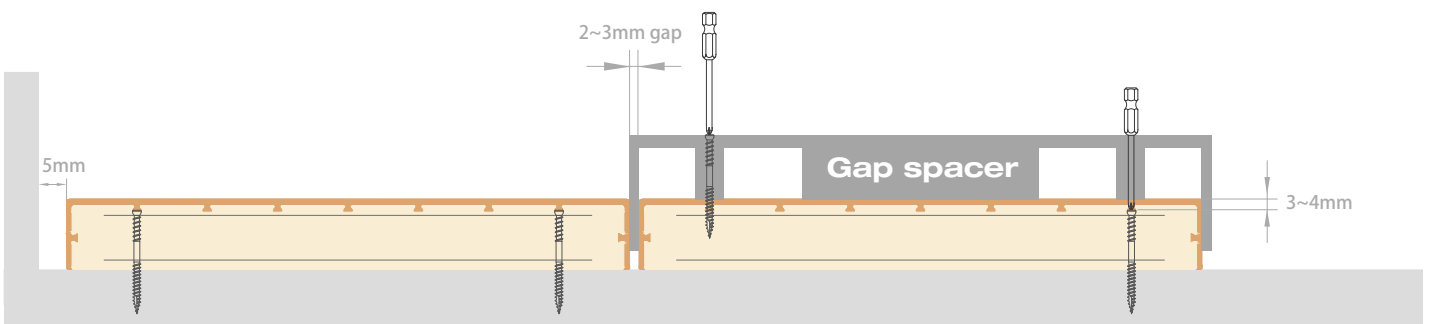


Keep the board 5mm away from the walls or other obstacles to allow for expansion of the composite products and also for ensuring good drainage and ventilation.

When screwing in, it is recommended to make the screw head 3mm-4mm under the surface material. This can be achieved by feeling the screwing-in resistance, as the core material and the surface capping material density is different. To make this easier our gap spacer can also be introduced for help.

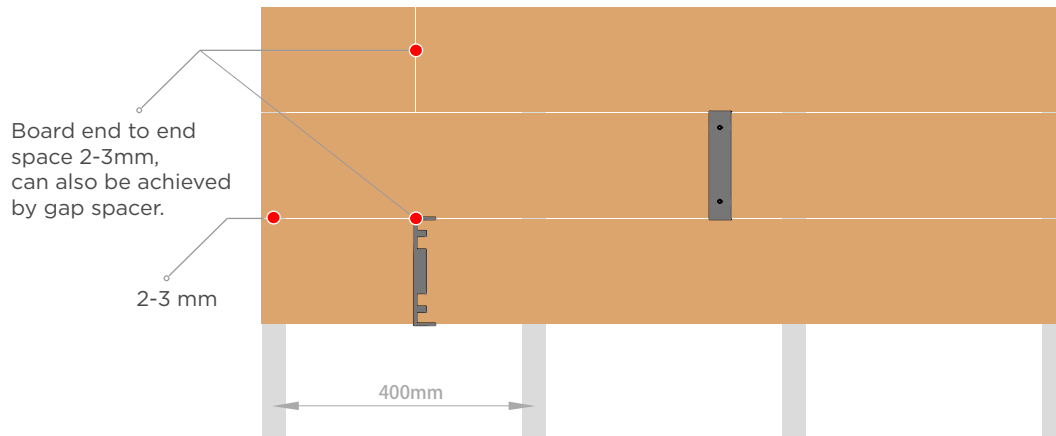
Step 2

Lay the 2nd board and a 2 to 3 mm gap should be left between each board. This can be assisted by using the gap spacer .

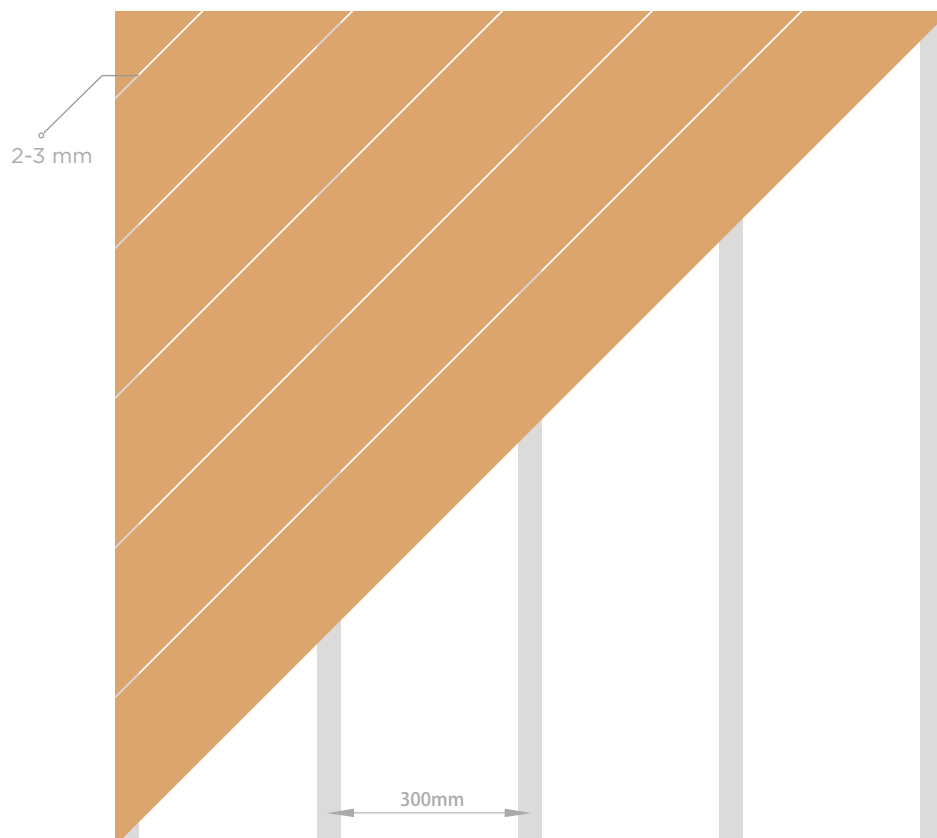


Keel spacing

1. Normally, the joist span is recommended at 400mm(center to center) .



2. When installing boards at an angle of 45° to the joists, the joist centres should be reduced to 300mm for residential installations and 240mm for commercial.



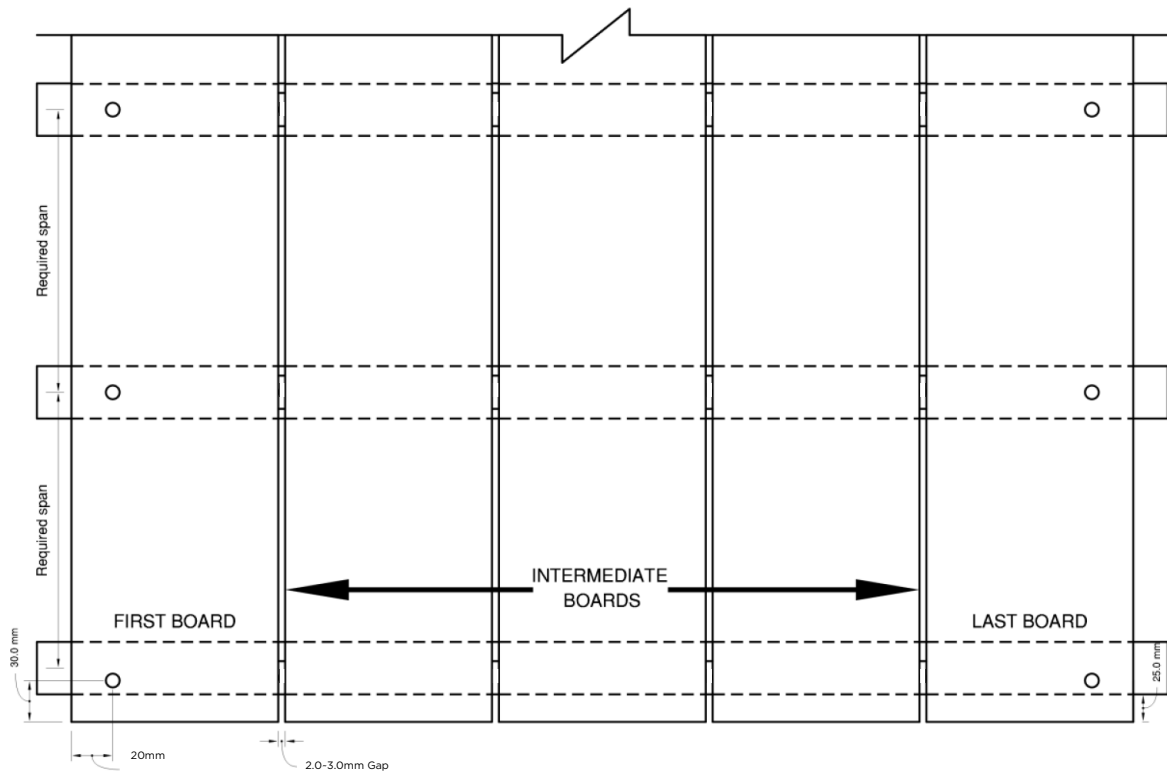
Step 3

Top fix the next board till the last board with screws.

Fixing point location

When top fixing the deck boards, fasten the boards 20mm or farther from any edge of the board, and at a spacing of 20mm to the next fastener to avoid any board cracking.

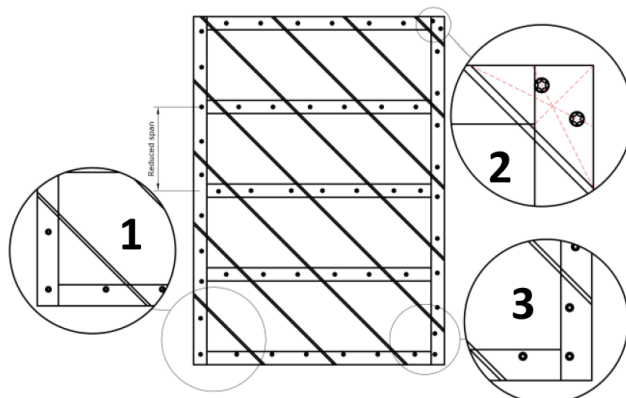
Use at least two screws to fasten each board to avoid the board pivoting around one screw and cracking.



Triangular piece fastening

Small triangular pieces are often found in diagonal decking as well as where boards have been mitred.

- 1- It is good practice to fasten all 3 edges of a triangular piece to avoid pivoting.
- 2- Where small pieces do not allow for this, 2 screws can be used, but should be positioned in such a way as to prevent pivoting. Try to plan the deck in such a way that both ends of the deck do not have overly small pieces of decking.
- 3- Where deck boards are cut at odd shapes like arrow heads additional fasteners may be required to prevent levering

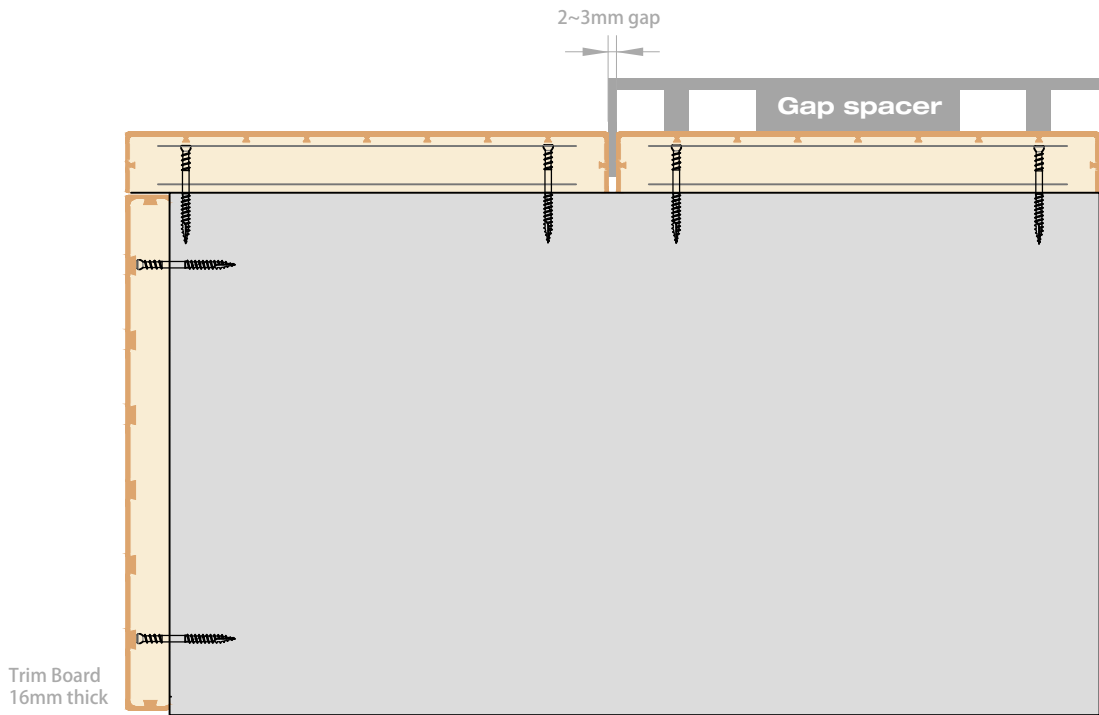


Step 4

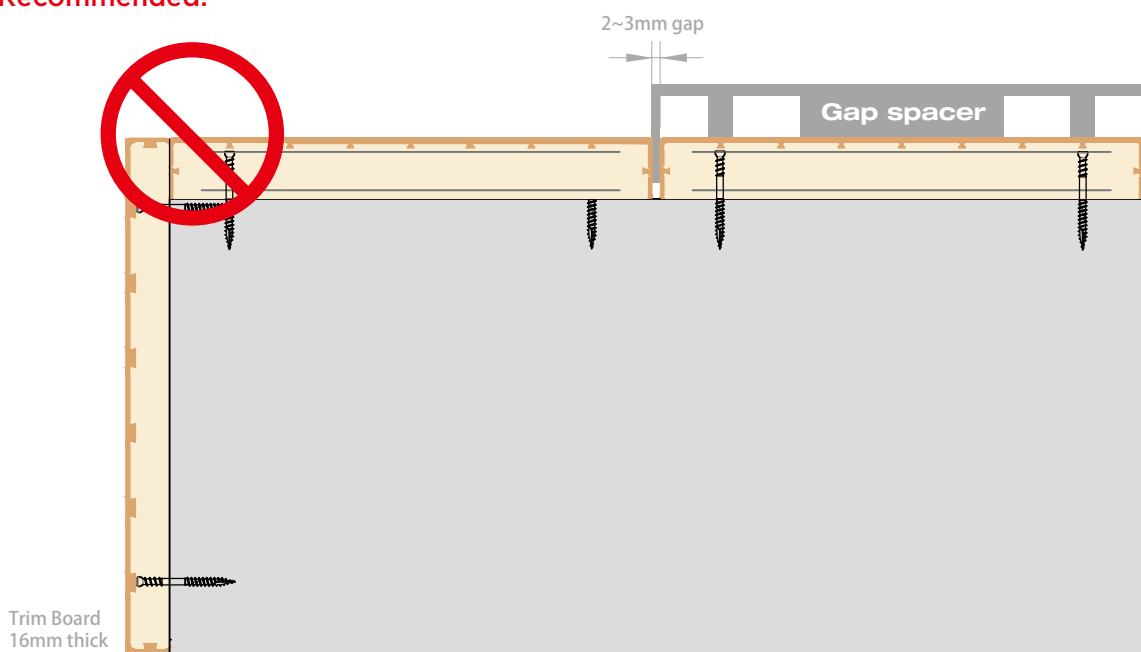
Trim the deck

By adopting our Regalboard trim board, the deck section can be sealed in same color and same looks grain material, which ensure the project with best effect.

Trim Board: Flush Finish

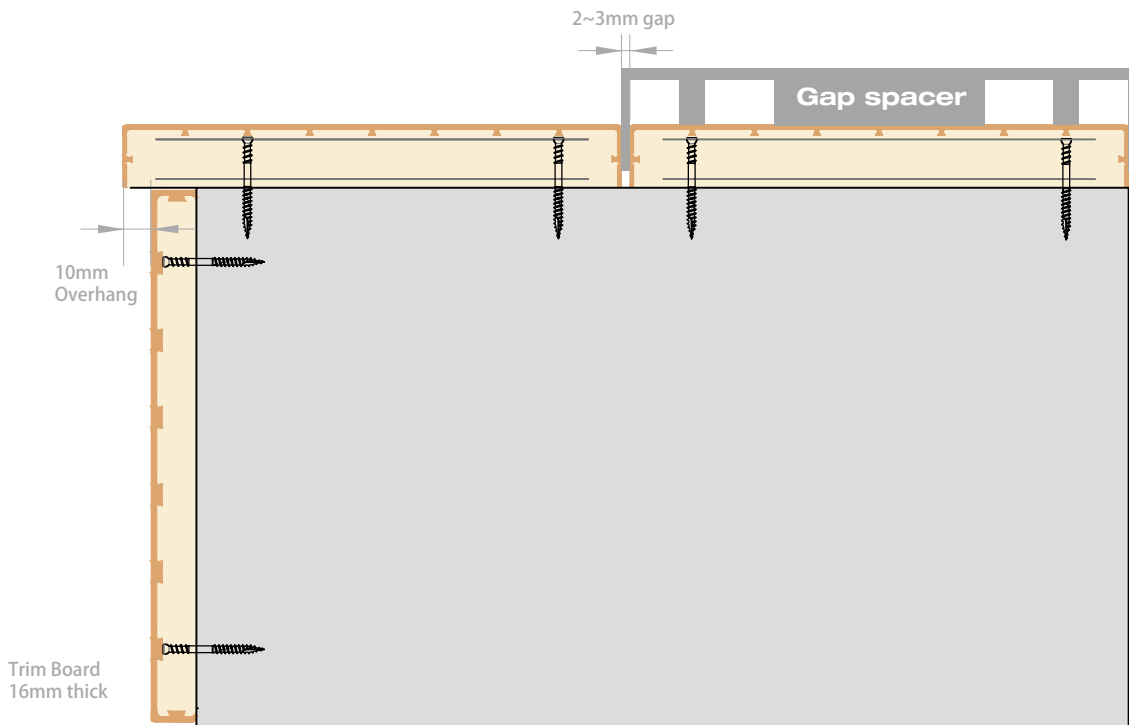


Not Recommended!



Trim Board: Overhang

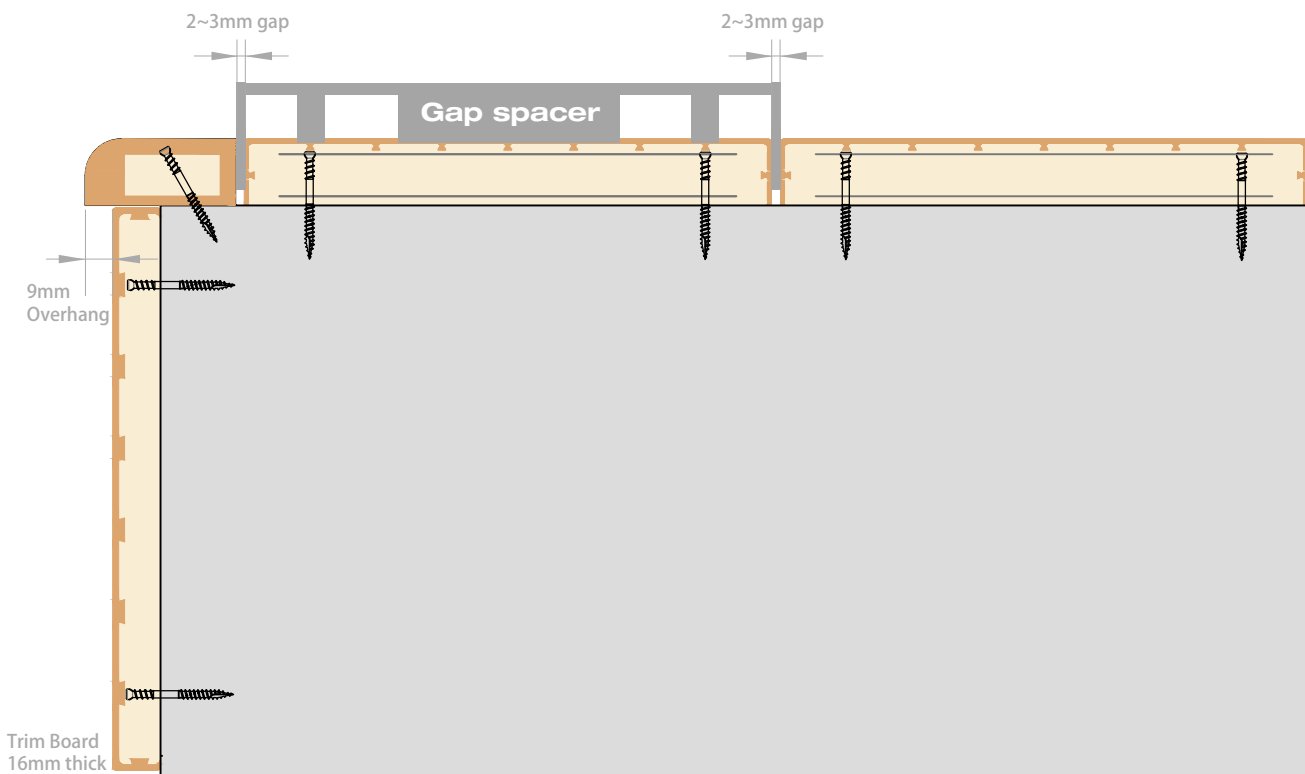
When fixing fascia boards, fasten the boards around 50mm from the edge of the board.
Maximum overhang for the decking board is 40mm.



Flexible bullnose

The flexible bullnose can also be bent to circle the deck.
The maximum overhang for the flexible bullnose is 9mm.

Tips: Since the flexible bullnose board is designed to be with function of circling the deck, it is quite soft, so it must be seat on solid sub-structure, but not on joist or batten with span.



REGAL BOARD™

Woodlike Vintage Composite Decking



